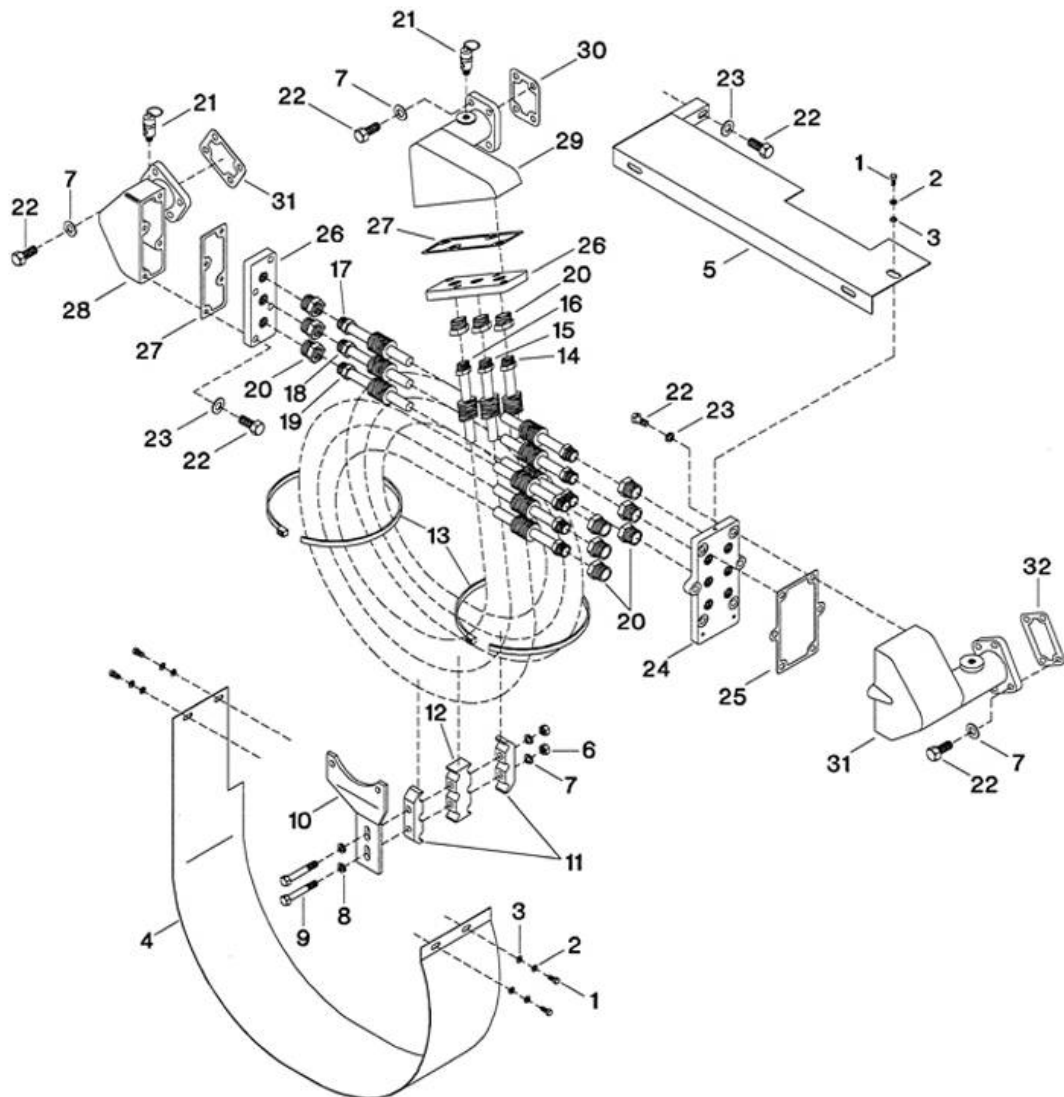


## 7. Intercooler & Shroud Assembly - Model 3000



All manufacturer's names, numbers, photos, product description and/or part numbers are used for reference purposes only & it is not implied that any part listed is the product of these manufacturers. Since Approvement are made from time to time, the illustration and specifications are subject to change without notice.

## 7. Intercooler & Shroud Assembly - Model 3000

REF. NO.	PART NO.	DESCRIPTION	QTY.	SPARES		
				1	2	3
7-1	95053070	CAPSCREW, HEX HEAD - 1/4-20 X 1/2"	5			
7-2	95043196	LOCKWASHER, SPRING - 1/4"	5			
7-3	95094298	WASHER, FLAT - 1/4"	5			
7-4	32177693	SHROUD, INTERCOOLER	1			
7-5	32180713	TOP, SHROUD	1			
7-6	95077764	NUT, HEX - 3/8-16	2			
7-7	95081857	LOCKWASHER, SPRING - 3/8"	14			
7-8	95069597	WASHER, FLAT - 3/8"	2			
7-9	95002895	CAPSCREW, HEX HEAD - 3/8-16 X 4"	2			
7-10	32175515	BRACKET, INTERCOOLER	1			
7-11	32165367	CLAMP, INTERCOOLER TUBE - OUTER	2			
7-12	32165383	CLAMP, INTERCOOLER TUBE - CENTER	1			
7-13	95370888	TIE, CABLE	2			
7-14	32197006	ASSEMBLY, INTERCOOLER TUBE - FINNED - #3	1		1	2
7-15	32196990	ASSEMBLY, INTERCOOLER TUBE - FINNED - #2	1		1	2
7-16	32196982	ASSEMBLY, INTERCOOLER TUBE - FINNED - #1	1		1	2
7-17	32196974	ASSEMBLY, INTERCOOLER TUBE - FINNED - #3	1		1	2
7-18	32196966	ASSEMBLY, INTERCOOLER TUBE - FINNED - #2	1		1	2
7-19	32196958	ASSEMBLY, INTERCOOLER TUBE - FINNED - #1	1		1	2
7-20	95083226	CONNECTOR, MALE - 5/8 X 1/2"	12			
7-21	72062185	VALVE, RELIEF - 80 PSIG	2			2
7-22	95079612	CAPSCREW, HEX HEAD - 3/8-16 X 1"	27			
7-23	95081857	LOCKWASHER, SPRING - 3/8"	15			
7-24	32180697	FLANGE, INTERCOOLER - HIGH PRESSURE	1			
7-25	32160566	GASKET, FLANGE - HIGH PRESSURE	1	1	1	2
7-26	32160475	FLANGE, INTERCOOLER - LOW PRESSURE	2			
7-27	32160558	GASKET, FLANGE - LOW PRESSURE	2	2	2	4
7-28	32160491	MANIFOLD, INTERCOOLER - #1 LOW PRESSURE	1			
7-29	32160509	MANIFOLD, INTERCOOLER - #2 LOW PRESSURE	1			
7-30	32153801	GASKET, MANIFOLD - LOW PRESSURE	2	2	2	4
7-31	32164519	MANIFOLD, INTERCOOLER - HIGH PRESSURE	1			
7-32	32153827	GASKET, MANIFOLD - HIGH PRESSURE	1	1	1	2

All manufacturer's names, numbers, photos, product description and/or part numbers are used for reference purposes only & it is not implied that any part listed is the product of these manufacturers. Since Approvement are made from time to time, the illustration and specifications are subject to change without notice.